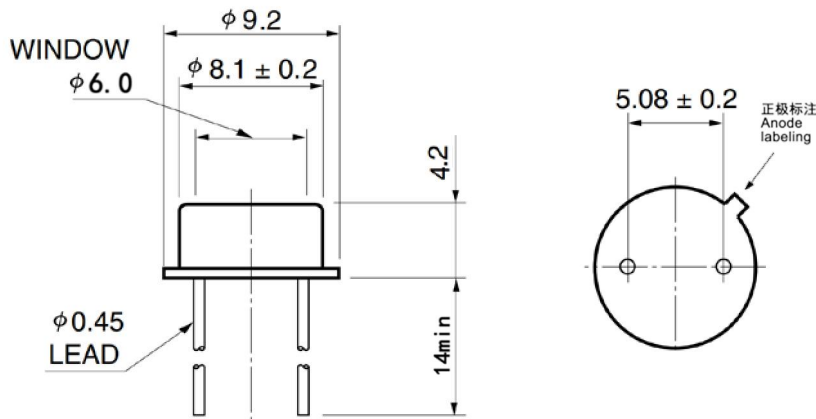


尺寸(mm):/DIMENSIONS IN MM :



*未注明公差±0.3mm /Unspecified tolerance: ±0.3mm



DESCRIPTION/产品描述

To5 package, silicon photodiode, red glass window, anti stray light interference, small dark current, fast response, widely used.

TO5 封装, 硅光电二极管, 红色玻璃窗口, 具有抗扰能力, 暗电流较小, 响应速度快, 应用广泛。

APPLICATIONS/典型应用

- photo detector/光电探测
- Security system /安防
- Camera/相机

FEATURES/特性

- Fast response time/反应快
- High photo sensitivity/灵敏度高

TYPICAL ABSOLUTE MAXIMUM RATINGS/ 典型额定参数

| SYMBOL/符号 | | UNITS/单位 | |
|-----------------------------|------------|----------|---|
| BVR/反向击穿电压 | 24 | V | Reverse Breakdown Voltage I _R = 100μA, H=0 ;@25℃ |
| Storage Temperature/贮存温度 | -20 to +80 | °C | - |
| Operating Temperature/工作温度 | -20 to +70 | °C | - |
| Soldering Temperature*/焊接温度 | +260 | °C | *Soldering Time < 3s/焊接时间小于 3s |

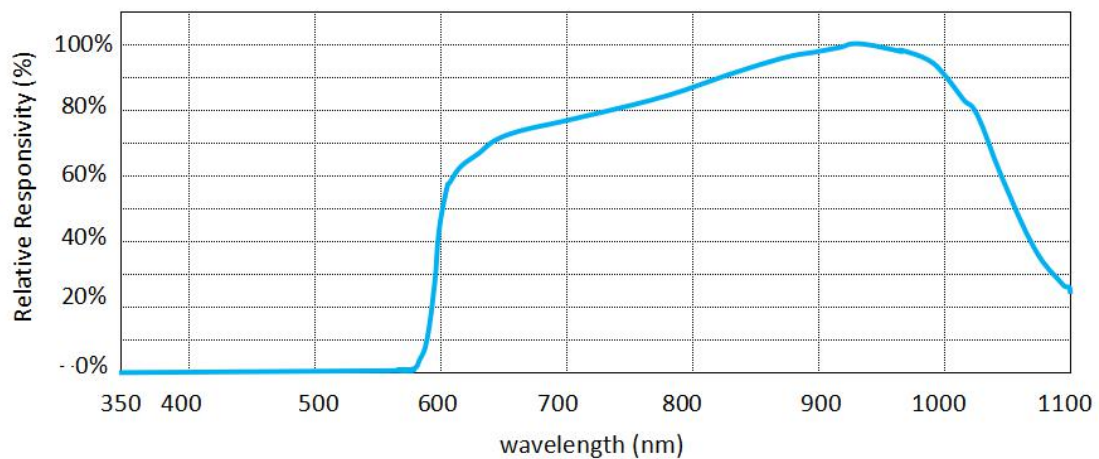
* 1/8 inch(>3mm) from case for 3 seconds max.

TYPICAL OPTO-ELECTRICAL PARAMETERS@25°C/典型光电参数

| PARAMETER 项目 | TEST CONDITIONS 测试条件 | MIN 下限 | TPY 典型 | MAX 上限 | UNITS 单位 |
|---------------------------------|-----------------------------------|-----------|-----------|-----------|---------------|
| Forward Voltage 正向电压 | $I_F=10\text{ mA}$ | 0.5 | | 1.3 | V |
| Light Current (2856K) 亮电流 | $V_R = 5V; E_v = 100\text{ lux}$ | | 10.5 | | μA |
| | $V_R = 5V; E_v = 500\text{ lux}$ | | 31 | | |
| | $V_R = 5V; E_v = 1000\text{ lux}$ | | 65 | | |
| Dark Current 暗电流 | $V_R = 5\text{ V}$ | | 10 | | nA |
| Spectrum Sensitivity 光谱响应范围 | | 600 | | 1100 | nm |
| Peak Sensing Wavelength 峰值波长 | | | 940 | | nm |

TYPICAL PERFORMANCE/典型曲线

光谱响应度曲线（典型）



Information in this technical datasheet is believed to be correct and reliable. However, no responsibility is assumed for possible inaccuracies or omission. Specifications are subject to change without notice.