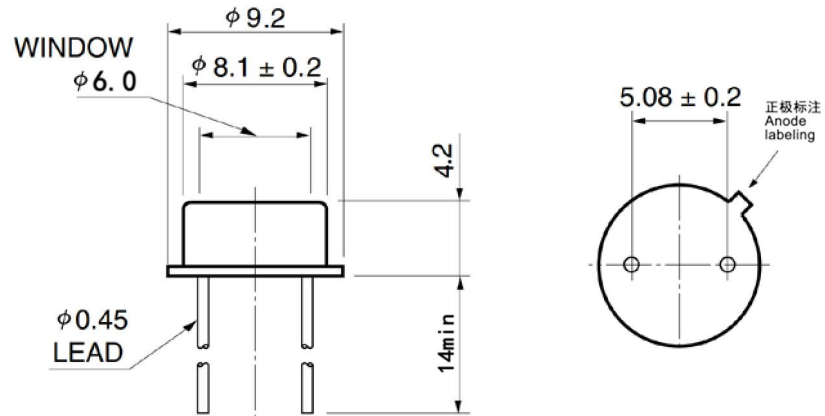




尺寸(mm):/DIMENSIONS IN MM :



*未注明公差±0.3mm /Unspecified tolerance:±0.3mm

DESCRIPTION/产品描述

LXD-PIN33MK is a Blue Enhanced Silicon photodiode sensitive to 350-1100nm. It is mounted in a TO5 type header with clear glass encapsulation. Detector can be biased for lower capacitance, faster response and wider dynamic region.

LXD-PIN33MK 光谱范围 350-1100nm, 紫蓝光增强型硅光电二极管, TO5 金属玻璃组件。器件有成本较低, 反应快, 动态范围宽等特点。

APPLICATIONS/典型应用

- Spectrophotometer/分光光度计
- Fluorescence/荧光检测
- Colorimeter, Photometer/色度计, 照度计

FEATURES/特性

- 350-1100nm Range/光谱范围 350-1100nm
- For 380nm Blue enhance/ 对 380nm 增强
- Low Capacitance/低电容

TYPICAL ABSOLUTE MAXIMUM RATINGS/ 典型额定参数

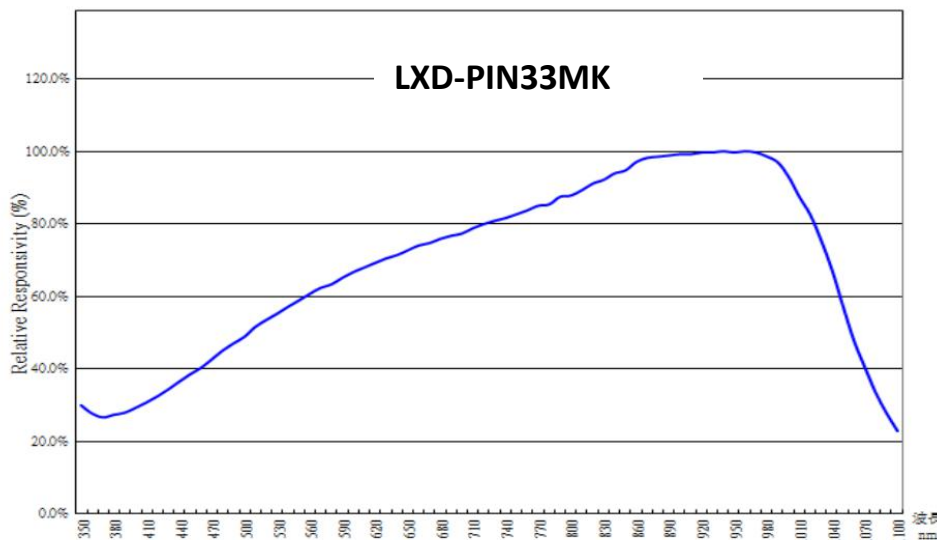
SYMBOL/符号		UNITS/单位	
BVR/反向击穿电压	24	V	Reverse Breakdown Voltage I _R = 100μA, H=0 ;@25°C
Storage Temperature/贮存温度	-20 to +75	°C	-
Operating Temperature/工作温度	-20 to +65	°C	-
Soldering Temperature*/焊接温度	+260	°C	*Soldering Time < 3s/焊接时间小于 3s

* 1/8 inch(>3mm) from case for 3 seconds max.

TYPICAL OPTO-ELECTRICAL PARAMETERS@25°C/典型光电参数

PARAMETER 项目	TEST CONDITIONS 测试条件	MIN 下限	TYP 典型	MAX 上限	UNITS 单位
Forward Voltage 正向电压	$I_F=10\text{ mA}$	0.5		1.3	V
Light Current 亮电流	$V_R = 5V; E_v = 100\text{ lux}, @2856K$		11.0		μA
	$V_R = 5V; E_v = 1000\text{ lux}, @2856K$		65		
	$V_R = 5V; E_v = 1\text{mw/cm}^2 @940\text{nm}$		80		
Dark Current 暗电流	$V_R = 5\text{ V}$		10		nA
Responsivity	@380		0.7		A/W
Spectrum Sensitivity 光谱响应范围		350		1100	nm
Peak Sensing Wavelength 峰值波长			940		nm
Total Capacitance 电容	$E_e=0\text{mW/cm}^2, V_R=3\text{V}, f=1\text{ MHz}$		7.3		pF

TYPICAL PERFORMANCE/典型曲线



Information in this technical datasheet is believed to be correct and reliable. However, no responsibility is assumed for possible inaccuracies or omission. Specifications are subject to change without notice.