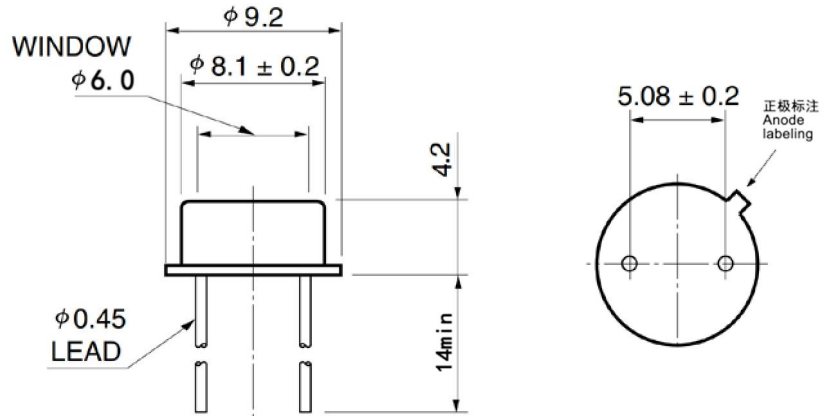


尺寸(mm):/DIMENSIONS IN MM :



\*未注明公差±0.3mm /Unspecified tolerance:±0.3mm

DESCRIPTION/产品描述

LXD-PIN33MK-V is a visible light Enhanced Silicon photodiode .It is mounted in a TO5 type header with Bluish green glass encapsulation. Detector can be biased for lower capacitance, faster response and wider dynamic region.

LXD-PIN33MK-V 硅光电二极管， TO5 金属壳封装， 内置青蓝色玻璃 。该器件结电容低， 反应快， 动态测量范围宽等特点。

APPLICATIONS/典型应用

- photo detector/光电探测
- Fluorescence/荧光检测
- Colorimeter, Photometer/色度计， 照度计

FEATURES/特性

- Fast response time/反应快
- High photo sensitivity/灵敏度高

TYPICAL ABSOLUTE MAXIMUM RATINGS/ 典型额定参数

SYMBOL/符号		UNITS/单位	
BVR/反向击穿电压	24	V	Reverse Breakdown Voltage I <sub>R</sub> =100μA, H=0 ;@25℃
Storage Temperature/贮存温度	-20 to +80	°C	-
Operating Temperature/工作温度	-20 to +70	°C	-
Soldering Temperature*/焊接温度	+260	°C	*Soldering Time < 3s/焊接时间小于 3s

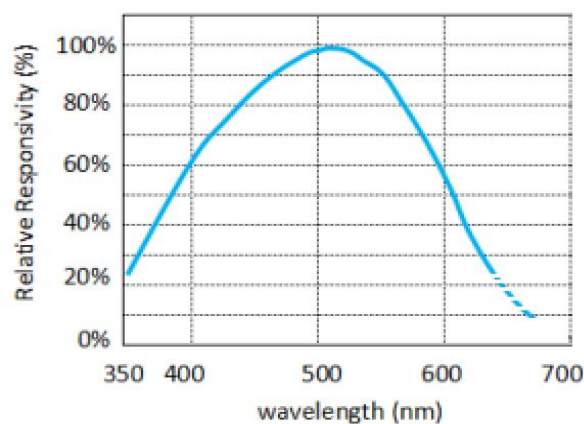
\* 1/8 inch(>3mm) from case for 3 seconds max.

TYPICAL OPTO-ELECTRICAL PARAMETERS@25°C/典型光电参数

PARAMETER 项目	TEST CONDITIONS 测试条件	MIN 最小	TPY 典型	MAX 最大	UNITS 单位
Forward Voltage 正向电压	$I_F=10\text{ mA}$	0.5		1.3	V
Short Circuit Current 短路电流	$V_R = 5\text{V}; E_v = 100\text{ lux}$		0.7		$\mu\text{A}$
	$V_R = 5\text{V}; E_v = 500\text{ lux}$		3.6		
	$V_R = 5\text{V}; E_v = 1\text{K lux}$		7.5		
Dark Current 暗电流	$V_R = 5\text{ V}$		10		nA
Spectrum Sensitivity 光谱响应范围		350			nm
Peak Sensing Wavelength 峰值波长			525		nm
Open Circuit Voltage 开路电压	$V_R = 5\text{V}; E_v = 1000\text{ lux}$	200			mV
Total Capacitance 电容	$E_e=0\text{mW/cm}^2, V_R=3\text{V}, f=1\text{ MHz}$		7.3		pF

TYPICAL PERFORMANCE/典型曲线

光谱响应度曲线（典型）



Information in this technical datasheet is believed to be correct and reliable. However, no responsibility is assumed for possible inaccuracies or omission. Specifications are subject to change without notice.